



Synergy Global Technology Inc

[www. RackmountMart.com](http://www.RackmountMart.com)

Toll Free: 1-888-865-6888

Tel: 510-226-8368 Fax: 510-226-8968

Email: sales@RackmountMart.com



TAU401

4 Bay Simple & Efficient Hardware RAID-5 Desktop Storage



Quick start guide

Quick start guide

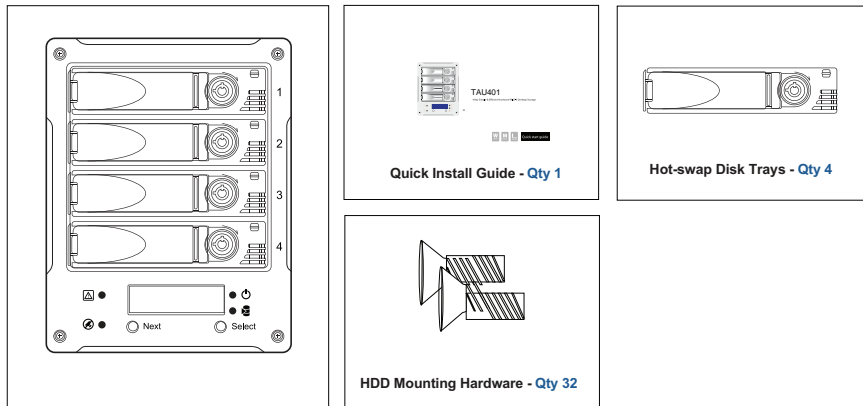
1 Welcome

Thank you for choosing **TAU401**

Thank you for buying RackmountMart TAU401 series , A 4-bay desktop RAID-5 solution for professionals who demand exceptional data protection. Featuring up to 8TB of capacity, cable-less backplane and universal connectivity, including FW400/800, eSATA and USB for PC and Mac.

2 What is in the box?

Carefully unpack your TAU401 storage system, and inventory the accessories according to your model type.



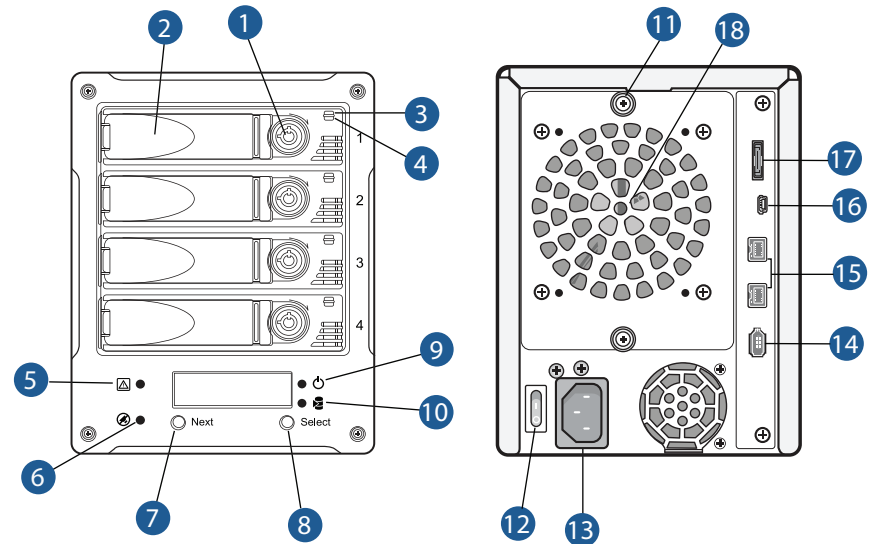
3 Unpack your TAU401

Unpack all components including the HDD mounting screws, key sets and cables. If you are missing any of the items mentioned above, please contact at www.rackmountmart.com

4

Understanding your TAU401

Learn and identify each component of TAU401



Front:

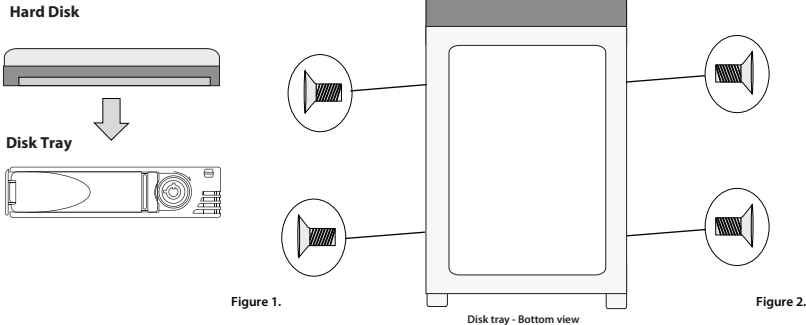
1. Security Key Lock
2. Hot-swap HDDs Tray
3. Power LED
4. HDD Active LED
5. Fan Error LED
6. Alarm Mute Button
7. LCM Button (Next)
8. LCM Button (Select)
9. System LED
10. RAID Active LED

Rear:

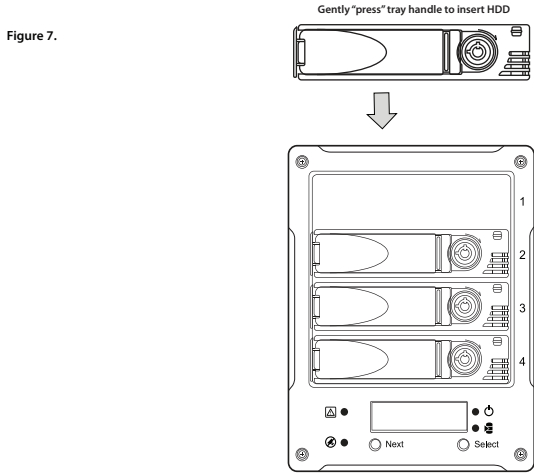
11. Thumb Screw for FAN module
12. Power Switch
13. ATX PS2 Power Supply
14. FW 400 port
15. FW 800 port
16. USB 2.0 port
17. eSATA port
18. FAN module

Quick start guide

5 Disk Installation
If your system was purchased with capacity, please skip this section and immediately go to next section. If your system was purchased without disks, install each disk into the provided disk trays and fasten using the supplied hdd screws. Do not use any other mounting screws other than the ones provided with your system. System or disk damage may occur if using non-approved mounting hardware.



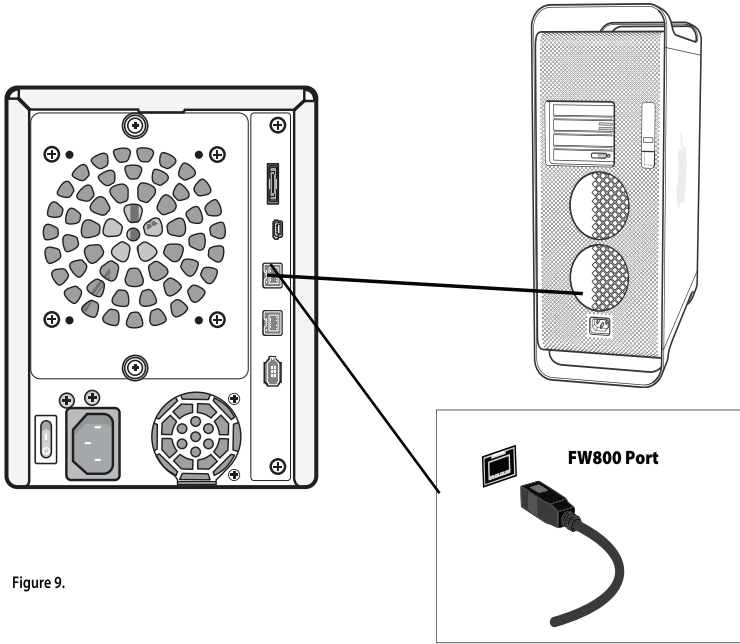
6 Insert Disk Module
After fastening each disk, insert the disk trays in the open disk bay on your system. For added security your system is equipped with locking disk bays to prevent accidental or malicious disk removal.



7 Connecting Your TAU401
Your TAU401 can be connected to a Mac or Windows-based workstations through a choice of small computer interface connections such as FW400, FW800, High-speed USB2.0 and eSATA.



NOTE:
Do not connect two ports at the same time. Doing so may cause your TAU401 to function incorrectly. Always select one interface port at a time.

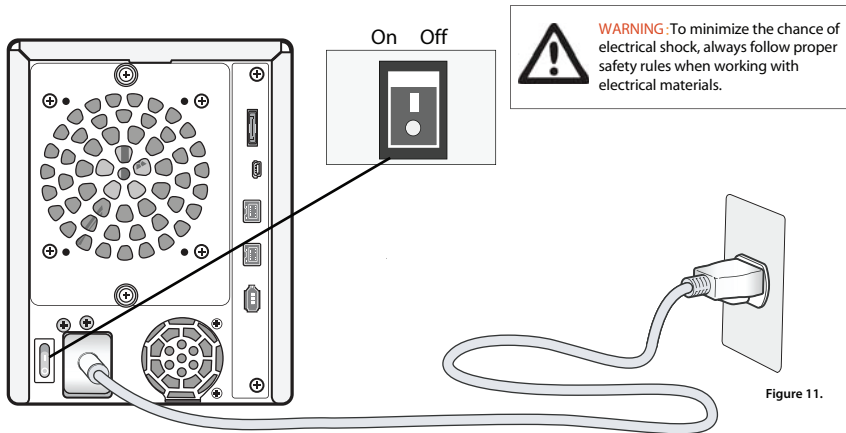


Quick start guide

8

Power On

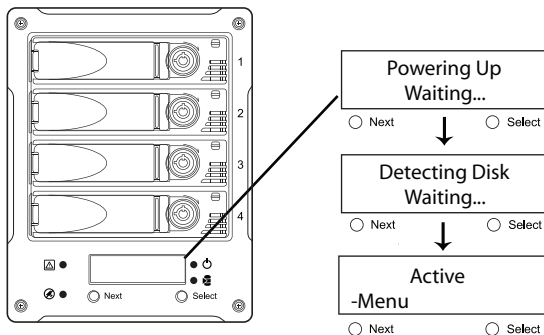
After connecting Data (FW400/800, USB, eSATA) cable to your system and host computer, power-on your TAU401 first, then power-on your host computer. Your array is now ready for RAID configuration in the LCM.



9

Configure TAU401

After you power on the TAU401 the system will start RAID-5 configuration automatically. The LCM will have following messages show up.



10

Format Volume for Mac OS

Please refer to your computer's documentation for detailed information on formatting & preparing volumes for use.

To format the drive for Mac OS X

1. Go to the Applications folder on your system hard drive.
2. Open the Utilities folder.
3. Double click on the Disk Utility Program.
4. Find the drive in the left hand window and select the drive.
5. Click on the Partition tab.
6. Under Volume Scheme select 1 Partition
7. Type a name for the drive in the box provided.
8. Select Mac OS extended under the format options.
9. Click on Partition in the Partition dialog box
10. The drive will be formatted and mounted on the desktop.



NOTE: If you wish to use the drive on PC and Mac systems we recommend leaving the drive formatted as Mac OS Extended and installing a program such as MacDrive (www.mediafour.com) on the PC systems so that PC read and work with the Mac OS Extended format.

11

Format Volume for Windows XP/Vista

To format the drive for Windows XP

1. Click on Control Panel, Performance & Maintenance, Administrative Tools.
2. Click on the Computer Management icon.
3. Click on the Disk Management Icon.
4. Right click on the new drive's icon in the right hand window.
5. Select the Format option, click yes in warning window.
6. Type a name for the drive under volume label.
7. Select perform quick format option.
8. Click OK in format warning box.
9. The drive will be formatted and available in My Computer & Windows Explorer.

Quick start guide

12


Troubleshooting

This section covers some common support questions. If you are experiencing an urgent issue, please contact your dealer or visit us online at www.rackmountmart.com

Connection Problems:

Always double check for loose cable connections or improperly seated disks if you experience problems where a disk or volume does not appear in your computer, or you receive an error message stating a disk missing when you have the drives configured as a RAID set.

1. Disconnect the data cables and reconnect the cable, ensuring the connector is inserted securely in your TAU401
2. Make sure the connector is properly secured on your FireWire port.
3. Check your TAU401 drive presence LEDs, located on the front panel of your array, if the LEDs are not lit, power down your TAU401 remove the disk and reinsert the disk module. After re-inserting the the disk, power-on your TAU401

 If the problem persists, please contact www.RackmountMart.com

13

Troubleshooting - Cont'd

This section covers some common support questions. If you are experiencing an urgent issue, please contact your dealer or visit us online at www.rackmountmart.com

Disk Capacity Problems:

Your TAU401 features a next generation Oxford FireWire chipset. This chipset offers support for hard disk capacities up to 2.0TB per disk. However, due to the OS 2TB limitation, Mac OS 10.4 and Windows XP 32-bit do not support capacity over 2.0TB.

The company reserves the right to modify product specifications without prior notice and assumes no responsibility for any error which may appear in this publication.

All brand names, logo and registered trademarks are properties of their respective owners.

Copyright 2008 Synergy Global Technology Inc. All rights reserved.

4 Bay Simple & Efficient Hardware RAID-5 Desktop Storage